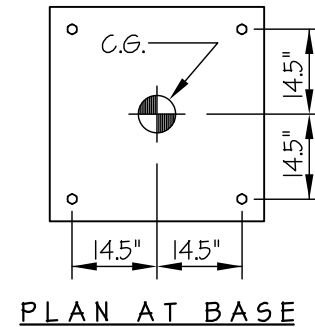
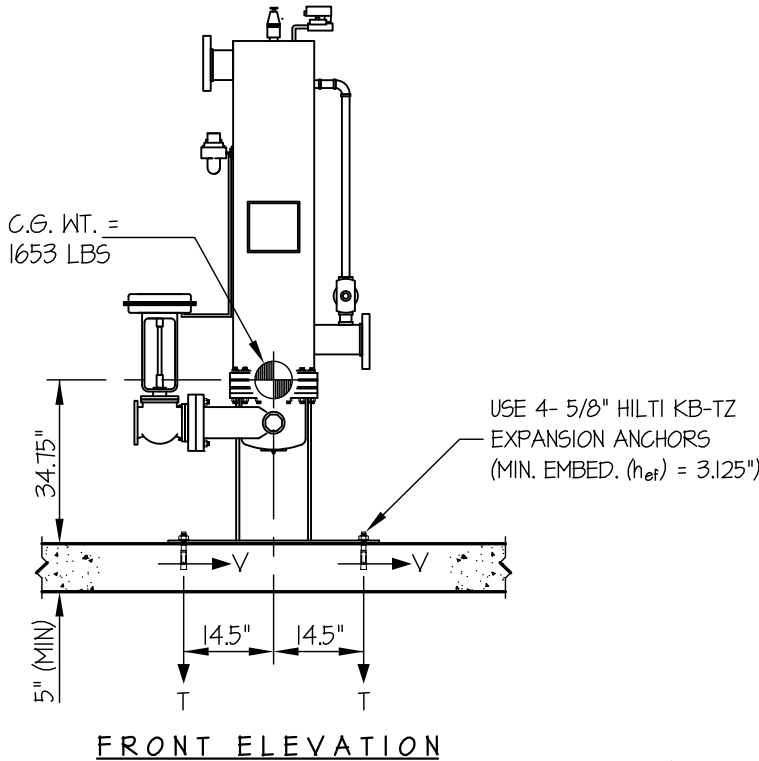


PATTERSON-KELLEY CO.	DES. J. ROBERSON	SHEET 1
	JOB NO. 11-1166	OF 1 SHEET
	DATE 8/22/11	

SEISMIC ANCHORAGE

SLAB ON GRADE



USE 4- 5/8" HILTI KB-TZ
EXPANSION ANCHORS
(MIN. EMBED. (h_{ef}) = 3.125")

FRONT ELEVATION

T_{MAX} = 952 LBS/BOLT
V_{MAX} = 372 LBS/BOLT

LOADS: PER 2010 CALIFORNIA BUILDING CODE SECTION 1613A AND ASCE 7-05 SECTIONS 12 AND 13.

WEIGHT = 1653 LBS

HORIZONTAL FORCE (E_h) = 0.90W_p = 1488 LBS

VERTICAL FORCE (E_v) = 0.40W_p = 661 LBS

BOLT FORCES:

TENSION (T)

$$T_{\text{MAXIMUM}} = \left[\frac{1488\#(34.75'')}{2\text{BOLTS}(29'')} \times (0.3) \right] + \frac{1488\#(34.75'')}{2\text{BOLTS}(29'')} - \frac{1653\#(0.9) - 661\#}{4 \text{ BOLTS}} = 952 \text{ LBS/BOLT (MAX)}$$

(HORIZ - FRONT TO BACK) (HORIZ - SIDE TO SIDE) (WEIGHT (0.9) - E_v)

SHEAR (V)

$$V_{\text{MAXIMUM}} = \frac{1488\#}{4 \text{ BOLTS}} = 372 \text{ LBS/BOLT (MAX)}$$

NOTE:

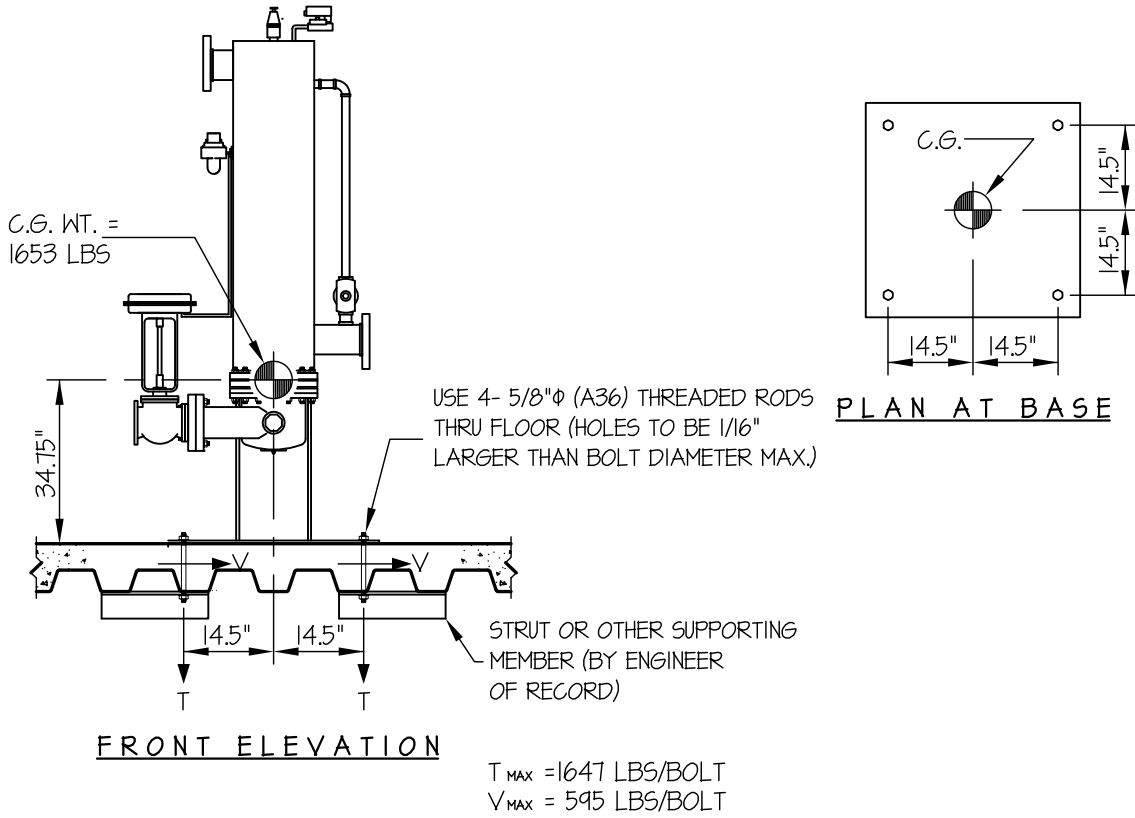
PROVIDE FLOOR STRUCTURE DESIGNED TO SUPPORT WEIGHTS AND FORCES SHOWN.
(BY ENGINEER OF RECORD FOR THE BUILDING)



PATTERSON-KELLEY CO.	DES. J. ROBERSON	SHEET 1
	JOB NO. 11-1166	OF 1 SHEET
	DATE 8/22/11	

SEISMIC ANCHORAGE

ELEVATED FLOOR



LOADS: PER 2010 CALIFORNIA BUILDING CODE SECTION 1613A AND ASCE 7-05 SECTIONS 12 AND 13.

WEIGHT = 1653 LBS
 HORIZONTAL FORCE (E_h) = $1.44W_p = 2380$ LBS
 VERTICAL FORCE (E_v) = $0.40W_p = 661$ LBS

BOLT FORCES:

TENSION (T)

$$T_{\text{MAXIMUM}} = \left[\frac{2380\#(34.75'')}{2\text{BOLTS}(29'')} \times (0.3) \right] + \frac{2380\#(34.75'')}{2\text{BOLTS}(29'')} - \frac{1653\#(0.9) - 661\#}{4 \text{ BOLTS}} = 1647 \text{ LBS/BOLT (MAX)}$$

(HORIZ - FRONT TO BACK) (HORIZ - SIDE TO SIDE) (WEIGHT (0.9) - E_v)

SHEAR (V)

$$V_{\text{MAXIMUM}} = \frac{2380\#}{4 \text{ BOLTS}} = 595 \text{ LBS/BOLT (MAX)}$$

NOTE:
 PROVIDE FLOOR STRUCTURE DESIGNED TO SUPPORT WEIGHTS AND FORCES SHOWN.
 (BY ENGINEER OF RECORD FOR THE BUILDING)

