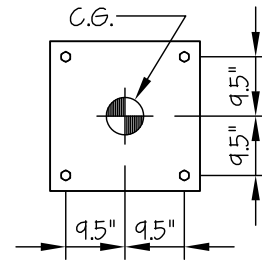
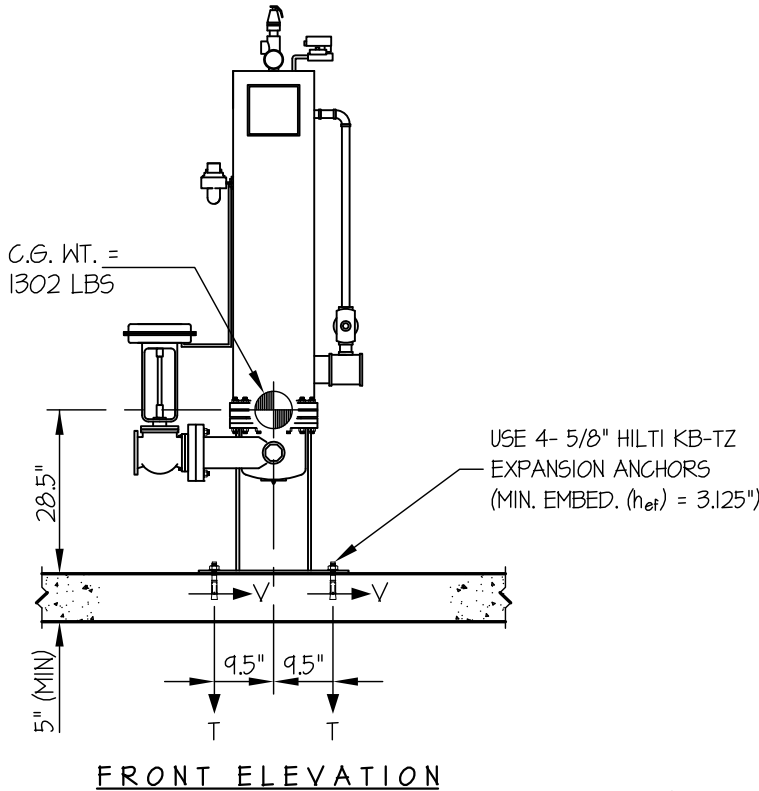


PATTERSON-KELLEY CO.	DES. J. ROBERSON	SHEET 1
	JOB NO. 11-1166	OF 1 SHEET
	DATE 8/22/11	

SEISMIC ANCHORAGE

SLAB ON GRADE



PLAN AT BASE

USE 4- 5/8" HILTI KB-TZ
 EXPANSION ANCHORS
 (MIN. EMBED. (h_{ef}) = 3.125")

FRONT ELEVATION

T_{MAX} = 980 LBS/BOLT
 V_{MAX} = 293 LBS/BOLT

LOADS: PER 2010 CALIFORNIA BUILDING CODE SECTION 1613A AND ASCE 7-05 SECTIONS 12 AND 13.

WEIGHT = 1302 LBS

HORIZONTAL FORCE (E_h) = 0.90W_p = 1172 LBS

VERTICAL FORCE (E_v) = 0.40W_p = 521 LBS

BOLT FORCES:

TENSION (T)

$$T_{\text{MAXIMUM}} = \left[\frac{1172\#(28.5'')}{2\text{BOLTS}(19'')} \times (0.3) \right] + \frac{1172\#(28.5'')}{2\text{BOLTS}(19'')} - \frac{1302\#(0.9) - 521\#}{4\text{ BOLTS}} = 980 \text{ LBS/BOLT (MAX)}$$

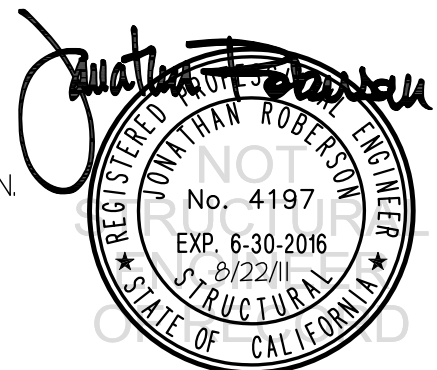
(HORIZ - FRONT TO BACK) (HORIZ - SIDE TO SIDE) (WEIGHT (0.9) - E_v)

SHEAR (V)

$$V_{\text{MAXIMUM}} = \frac{1172\#}{4\text{ BOLTS}} = 293 \text{ LBS/BOLT (MAX)}$$

NOTE:

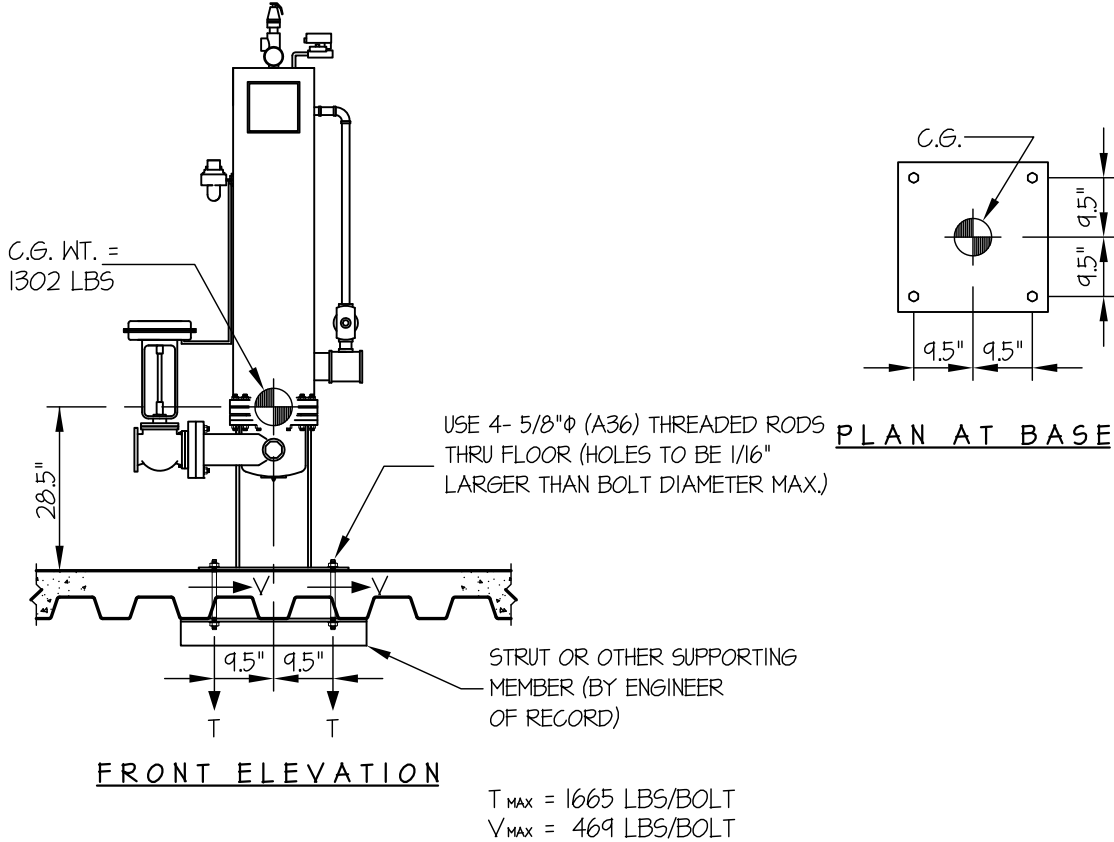
PROVIDE FLOOR STRUCTURE DESIGNED TO SUPPORT WEIGHTS AND FORCES SHOWN.
 (BY ENGINEER OF RECORD FOR THE BUILDING)



PATTERSON-KELLEY CO.	DES. J. ROBERSON	SHEET 1
	JOB NO. 11-1166	OF 1 SHEET
COMPACT WATER HEATER - PK10D	DATE 8/22/11	

SEISMIC ANCHORAGE

ELEVATED FLOOR



LOADS: PER 2010 CALIFORNIA BUILDING CODE SECTION 1613A AND ASCE 7-05 SECTIONS 12 AND 13.

WEIGHT = 1302 LBS

HORIZONTAL FORCE (E_h) = 1.44W_p = 1875 LBS

VERTICAL FORCE (E_v) = 0.40W_p = 521 LBS

BOLT FORCES:

TENSION (T)

$$T_{\text{MAXIMUM}} = \left[\frac{1875\#(28.5")}{2\text{BOLTS}(19")} \times (0.3) \right] + \frac{1875\#(28.5")}{2\text{BOLTS}(19")} - \frac{1302\#(0.9) - 521\#}{4 \text{ BOLTS}} = 1665 \text{ LBS/BOLT (MAX)}$$

(HORIZ - FRONT TO BACK) (HORIZ - SIDE TO SIDE) (WEIGHT (0.9) - E_v)

SHEAR (V)

$$V_{\text{MAXIMUM}} = \frac{1875\#}{4 \text{ BOLTS}} = 469 \text{ LBS/BOLT (MAX)}$$

NOTE:

PROVIDE FLOOR STRUCTURE DESIGNED TO SUPPORT WEIGHTS AND FORCES SHOWN.
 (BY ENGINEER OF RECORD FOR THE BUILDING)

