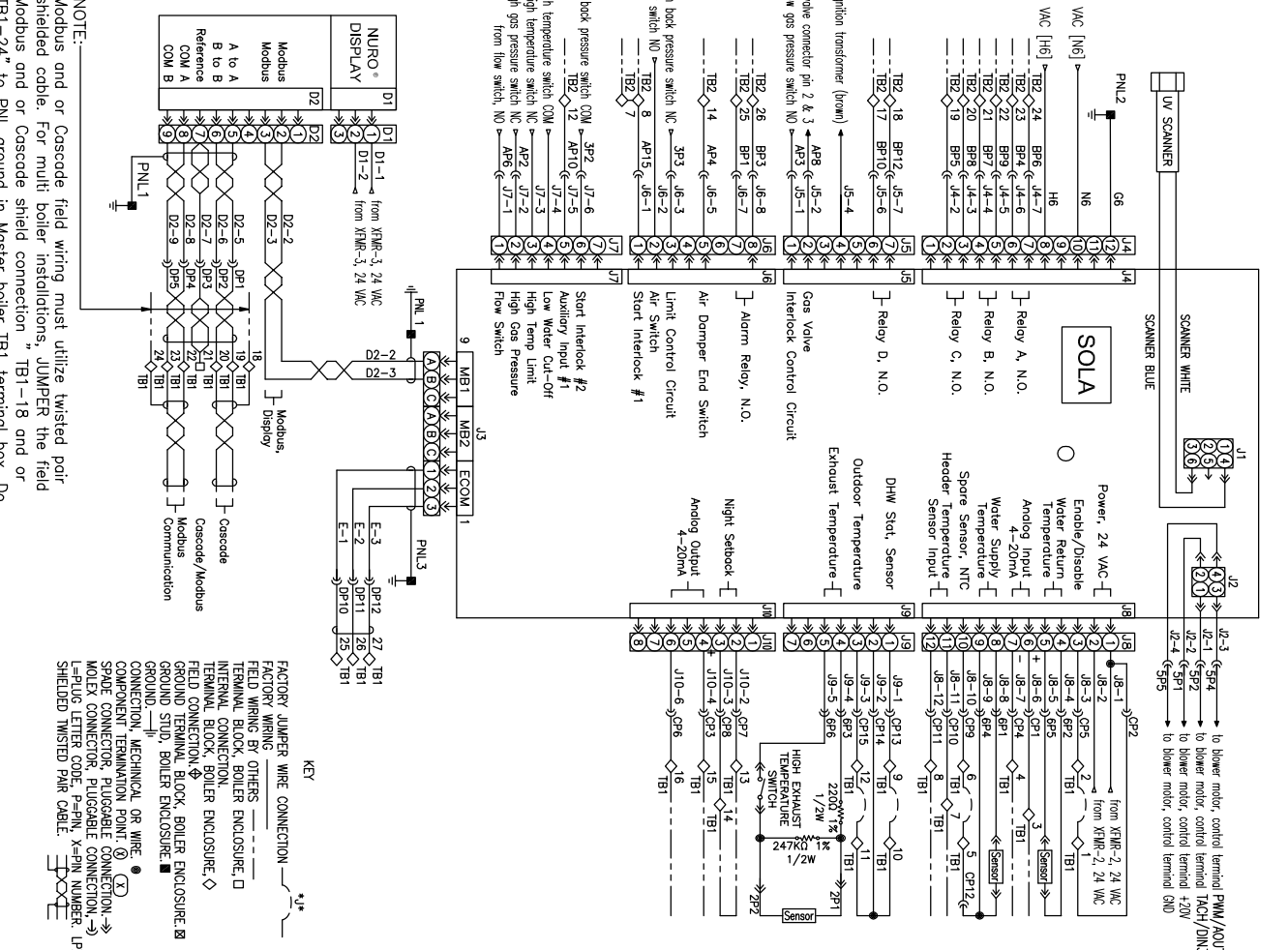
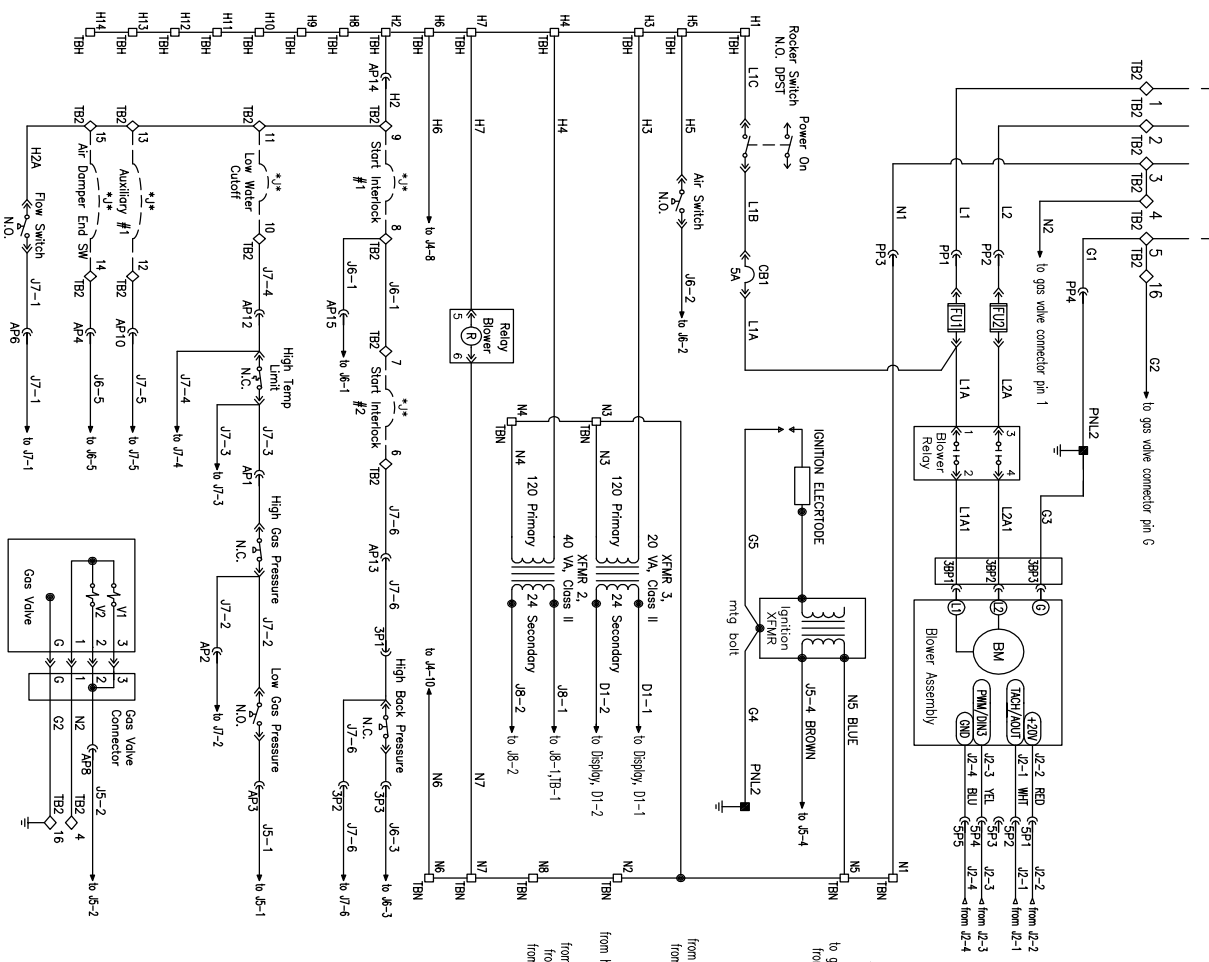


SUPPLY BY OTHERS: BRANCH CIRCUIT, 20 AMPS 208-240 VAC 1Ø 60 HZ		FUSES FU1 AND FU2 ARE CLASS CC TIME DELAY BUSSMANN FNO-R OR MERSEN ATOR	
L1	L2	N	GROUND
MODU-FIRE FD & VELOX		FUSE SIZE	
750-1000		5A	
1500-2000		10A	
2500-3000		15A	



IF ANY OF THE ORIGINAL WIRE SUPPLIED WITH THIS BOILER MUST BE REPLACED, IT MUST BE REPLACED WITH THE SAME UL WIRE TYPE.

MODU-FIRE FD & VELOX HIGH TEMP LIMIT
"N" SERIES BOILERS 240° F
"W" SERIES WATER HEATERS 197° F

MODU-FIRE® FD & VELOX
750-3000 NURO® Control
231000020
REV. D

HARSCO INDUSTRIAL
Patterson-Kelley
East Stroudsburg, PA 18301
570-476-7261
www.harsco.com