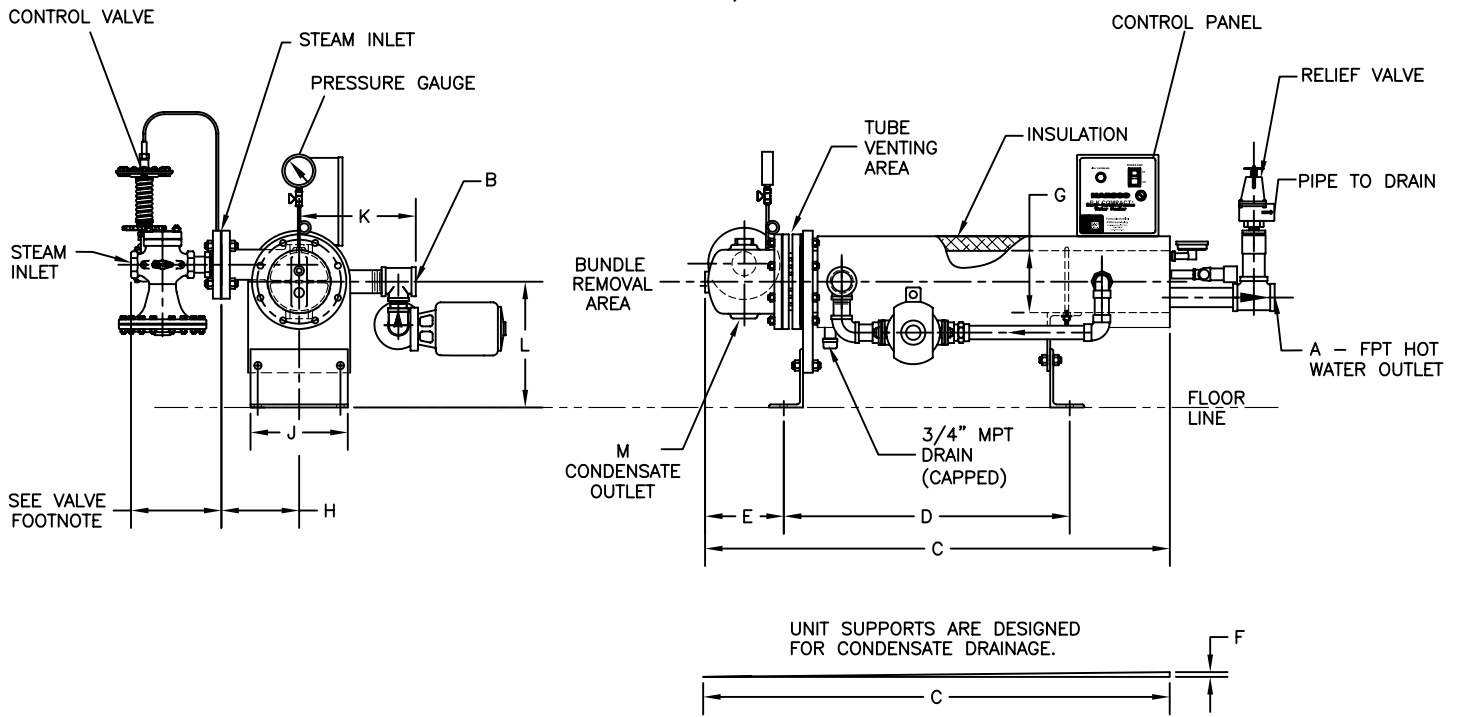
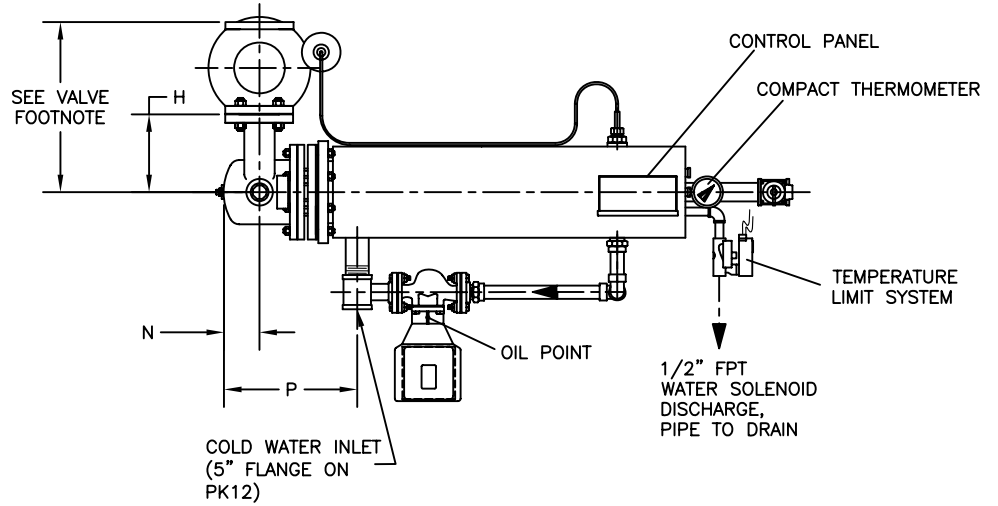


## DIMENSIONS: Steam to Water



UNIT SUPPORTS ARE DESIGNED FOR CONDENSATE DRAINAGE.

## Seam to Boiler Water

Component		Single Wall	Double Wall
Shell Side		SB-171-706 (Copper-Nickel)	
Tubewise	Tubes	SB-75-C12200 (Copper)	
	Tubesheet (inner)	SB-171-464 (Naval Brass)	
	Tubesheet (outer)	NA	SA-516-GR 70 (Carbon Steel)
	Bonnet	SA-278-Class 30 (Cast Iron)	
	Billet*	SA-516-GR 70 (Carbon Steel)	

\* Boiler Water and High-Temperature water only.

## DIMENSIONS IN INCHES

## Roughing-In Dimensions Only

Model No.	A	B	C	D	E	F	G	H	J	K	L	M	N	P
PK06	1-1/2*	2*	47-1/2	29	8	1/2	6-3/8	8	10	12	13	1-1/2	3-1/2	13-3/8
PK08	2*	3*	47	29	7	1/2	8-3/8	??	10	13-7/8	13-7/8	1-1/2	3-3/4	13-1/2
PK10	2-1/2*	3*	64?	29	10-3/4	1/2	10-5/8	??	14-1/8	14-3/4	15	2	5-1/4	17-1/2
PK12	4*	4*	68-3/8	44	12-3/4	3/4	??	??	??	18	17	2	6-1/8	20

Valve: Dimension varies with valve selected. Allow for maximum 16".

Pneumatic valve shown. Electric valve also available.