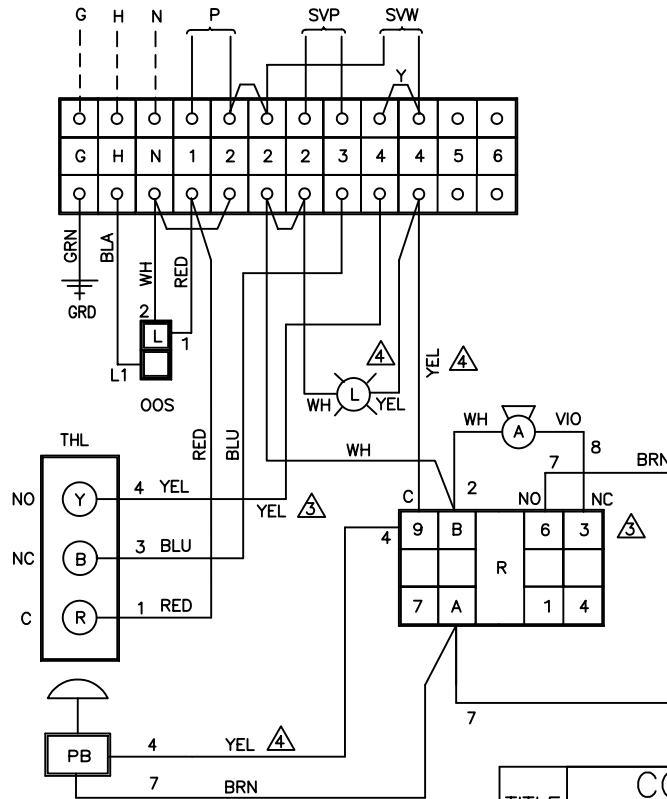


CONTROL LOGIC DIAGRAM

NOTES:

- 1.) DOUBLE SOLENOID SYSTEM WITH RELAY AND HORN
- 2.) SOLID LINES: FACTORY WIRING
- 3.) DOTTED LINES: FIELD WIRING



WIRING DIAGRAM

ABBREVIATIONS:

- G GROUND
- H POWER, HOT
- N NEUTRAL
- L LIGHT, POWER ON, HI-TEMP.
- P PUMP
- THL THERMOSTAT, HIGH LIMIT
- SVP SOLENOID VALVE, PILOT
- SWV SOLENOID VALVE, WATER
- R RELAY
- PB PUSH BUTTON, SILENCE
- NC NORMALLY CLOSED
- NO NORMALLY OPEN
- C COMMON
- OOS ON-OFF SWITCH
- A ALARM HORN

VERSION #3

FOR MODULE #8651001030
DWG. NO. WAS B-92679

W3

TITLE		CONTROL LOGIC & WIRING DIAG. COMPACT W/ALARM & RESET			
THIS DRAWING, INFORMATION AND THE SUBJECT MATTER THEREOF, ARE THE SOLE AND EXCLUSIVE PROPERTY OF PATTERSON-KELLEY CO, HARSCO CORPORATION, EAST STROUDSBURG, PA. IT MAY BE REPRODUCED BY THE PURCHASER OF THIS EQUIPMENT FOR THEIR INTERNAL USE ONLY. IT CANNOT BE DISTRIBUTED TO ANY OTHER FIRM OR PARTY WITHOUT WRITTEN CONSENT FROM OUR COMPANY.					
Patterson-Kelley					
Harsco East Stroudsburg, PA 18301 570-421-7500 www.patkco.com					
	BY	DATE	FILE SIZE	REFERENCE NO.	
DRAWN	RLP	6/1/93			
CHECKED	JOHN	6/2/94			
APPROVED			B		
	PRINT NO.	1000092679			REV. 3

4	YEL WIRES FROM LIGHT ON WIRING DIA. WERE BLU	H.	JH	5-15-03
3	RELAY #3&6 WERE REVERSED, UPDATE WIRE COLOR	H.	JH	3-27-03
2	UP-DATE WIRING	RLP	JOHN	8-1-95
1	PER NEW ENGINEERING STANDARDS	DCL	JOHN	5-23-94
REV.	DESCRIPTION	BY	CK'D.	DATE

ASME CODE	DESIGN PRESSURE	TYPE X-RAY		APPROX. WEIGHT LBS.
YES NO		NONE SPOT FULL		N/A