

P-K HiDRA®

Water Heater Models HC-800 & HC-1000
Natural Gas with NURO® Control

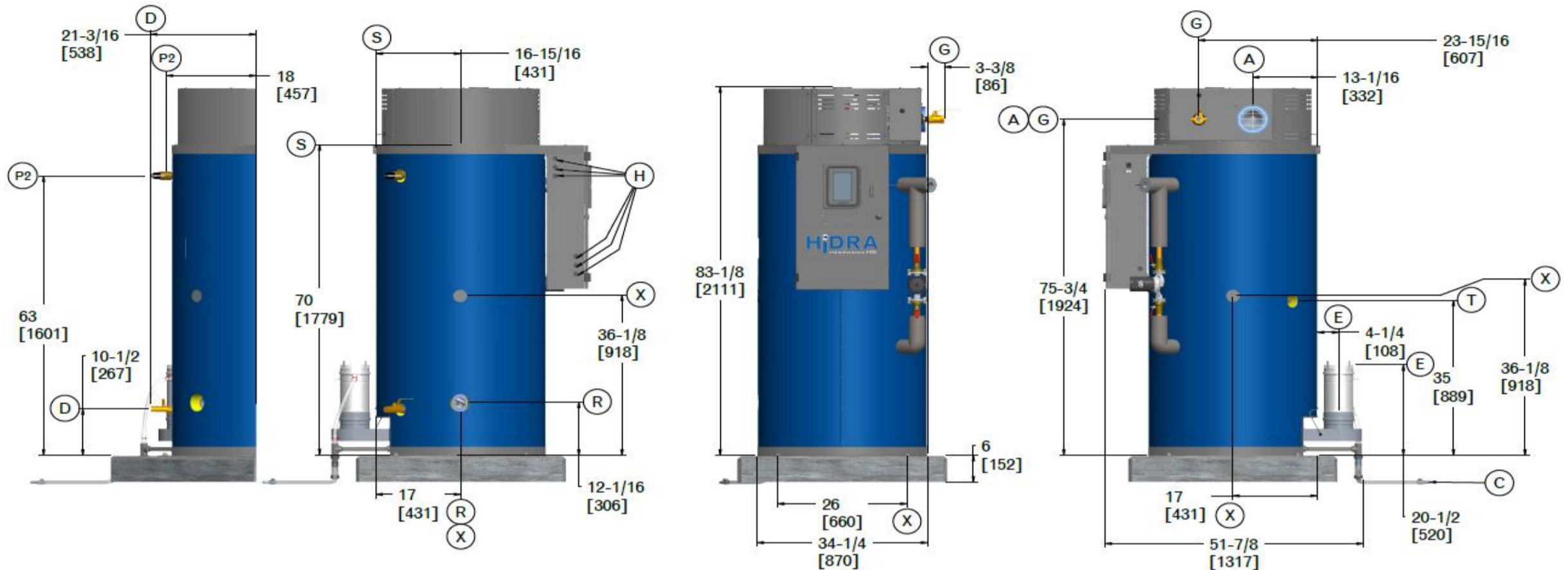


Rep Name: _____

Email: _____

Phone Number: _____

Date: _____ / _____ / _____



Primary dimensions are in inches. The secondary dimensions, [in brackets], are in millimeters.

This HiDRA water heater requires Cat. IV venting (condensing-positive pressure) or Cat. II venting† (condensing-negative pressure as defined in ANSI Z223.1/NFPA 54/CSA-B.149 latest edition.

†Category II venting must include the optional combustion air damper

WATER HEATER CONNECTIONS	
A	Combustion Air Inlet 6" dia. stub
C	Condensate Drain 3/4" hose
D	Tank Drain Valve 1" NPT-F
E	Exhaust Vent 6"
F	Heat Exchanger Drain 3/4" NPT
G	Natural Gas 1" NPT-F
H	Wiring Junction Boxes inside cabinet
P1	Pressure Relief Valve see list for options
P2	T&P Relief Valve see list for options
R	Hot Water Return 2" NPT
S	Hot Water Supply 2" NPT
T	Building Recirculation 1" NPT
X	Anchor Bolt Locations (6) 5/8" Bolt Holes

MODEL SELECTION		
Water Heaters	<input type="checkbox"/> HC-800	<input type="checkbox"/> HC-1000
Fuel Options	<input type="checkbox"/> NATURAL GAS	<input type="checkbox"/> NATURAL GAS
Min Inlet Gas Pressure	3.5" W.C	
Max Inlet Gas Pressure	14" W.C.	
Max Input (BTU/hr)	800,000	1,000,000
Max Output (BTU/hr)	752,000	940,000
Water Heater HP	23.9	29.9
Min Input (BTU/hr)	160,000	200,000
Turndown Ratio	5:1	5:1
Estimated Operating/Shipping Weight	1920 LBS / 1000 LBS	1920 LBS / 1000 LBS
Domestic Water Content	128 GALLONS	
Shipping Dimensions	60" x 36" x 92"	
Power Supply	<input type="checkbox"/> 110/120V 1PH 60 HZ	
Operating Current	< 7 AMPS	< 10 AMPS
Recommended Minimum Circuit Capacity	10 AMPS	

BOILER CONTROLS
ASME CSD-1 is standard
Complies with: GE GAP (IRI) guidelines GAP.4.1.0 and GAP.4.1.3
FM Global 6-4 Section 1.0
Main Gas Train with Dual Shut-off
Integrated Boiler Control, NURO Series
Operating Thermostat, 42°-195°F (5.6°-91°C)
High Limit Thermostat, Manual Reset, 100°-190°F (38°-92°C)
High Exhaust Back Pressure Switch
LWCO, Paddle Type & LWCO, Probe Type
Combustion Air Proving Switch, Differential Pressure Type
Combustion Blower, Variable Speed, 460 Watt

PRESSURE RELIEF VALVE		T&P RELIEF VALVE	
Shipped Loose for Field Installation			
<input type="checkbox"/> 30 PSIG 1"x 1"	<input type="checkbox"/> 150 PSIG / 210°F 3/4"x3/4"		
<input type="checkbox"/> 50 PSIG 1"x 1"			
<input type="checkbox"/> 60 PSIG 1"x 1"			
<input type="checkbox"/> 75 PSIG 1"x 1"			
<input type="checkbox"/> 80 PSIG 1"x 1"			
<input type="checkbox"/> 100 PSIG 1"x 1"			
<input type="checkbox"/> 125 PSIG 1"x 1"			
<input type="checkbox"/> 150 PSIG 1"x 1"			

A.S.M.E. SECTION IV DESIGN DATA	HC-800	HC-1000
Max Pressure	160 PSIG	
Max Allowable Temperature	210°F	
Max Operating Temperature	180°F	
Heated Surface Area, Section IV	107.81 sq. ft.	132.96 sq. ft.
Recovery Rate (70°-140°F)	1289 GPH	1611 GPH
Recovery Rate (40°-140°F)	902 GPH	1128 GPH

RECOMMENDED CLEARANCE FOR SERVICE ACCESS				
Front - 24"	Rear - 0"	Top - 16"	Left Side - 0"	Right Side - 0"

Notes:
- Harsco Industrial Patterson-Kelley reserves the right to make changes at any time without notification
- All models efficiencies are preliminary and are subject to change

