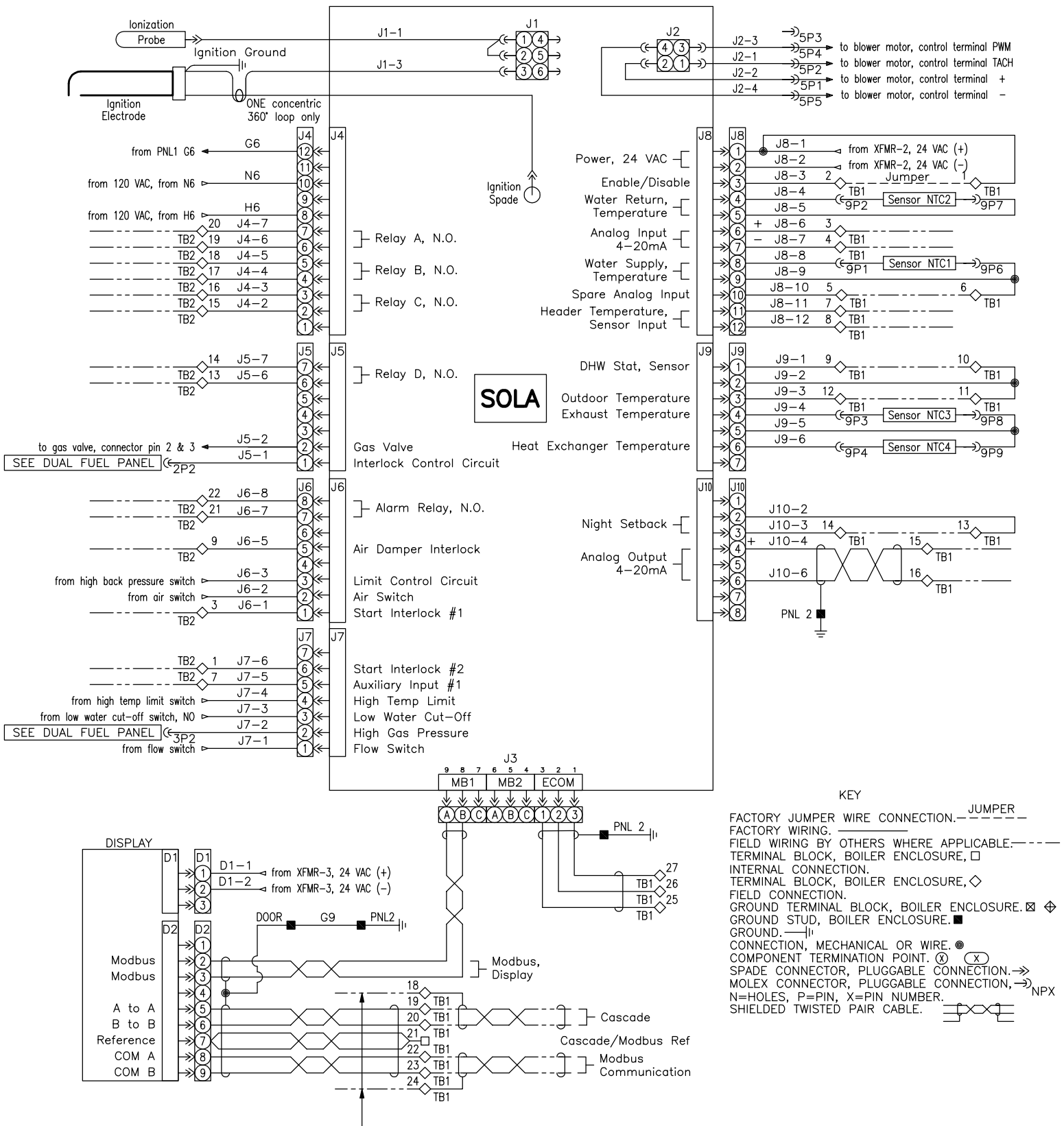


IF ANY OF THE ORIGINAL WIRE SUPPLIED WITH THIS BOILER MUST BE REPLACED, IT MUST BE REPLACED WITH THE SAME UL WIRE TYPE.

SC3000 / SC4000 / 480 VOLT
DUAL FUEL - NURO® Control

2661000070 (1)
REV. B

HARSCO
INDUSTRIAL
Patterson-Kelley
East Stroudsburg, PA 18301
570-476-7261
www.harscopk.com



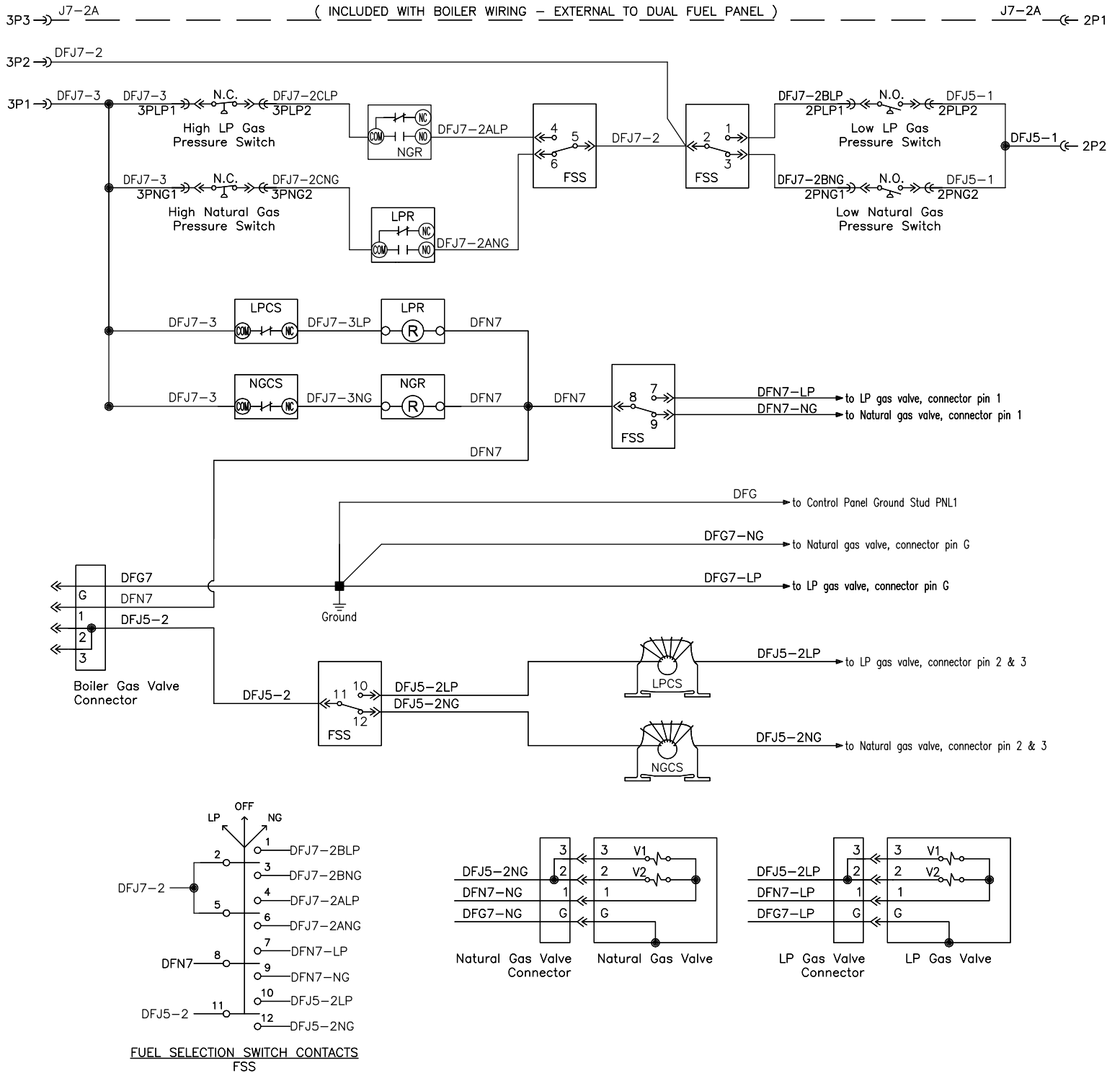
NOTE:
 Modbus and or Cascade field wiring must utilize twisted pair shielded cable. For multi boiler installations, JUMPER the field Modbus and or Cascade shield connection " TB1-18 and or TB1-24" to PNL ground in Master boiler TB1 terminal box. Do not ground shield to any other boiler or piece of equipment. Shield should be continuous from beginning to end with a ground connection in the master boiler only.

HARSCO
INDUSTRIAL
Patterson-Kelley
 East Stroudsburg, PA 18301
 570-476-7261
 www.harscopk.com

IF ANY OF THE ORIGINAL WIRE SUPPLIED WITH THIS BOILER MUST BE REPLACED, IT MUST BE REPLACED WITH THE SAME UL WIRE TYPE.

SC3000 / SC4000 / 480 VOLT
DUAL FUEL - NURO® Control

2661000070 (2)
 REV. B



DUAL FUEL PANEL

HARSCO
INDUSTRIAL
Patterson-Kelley
 East Stroudsburg, PA 18301
 570-476-7261
 www.harscopk.com

IF ANY OF THE ORIGINAL WIRE SUPPLIED WITH THIS BOILER MUST BE REPLACED, IT MUST BE REPLACED WITH THE SAME UL WIRE TYPE.

SC3000 / SC4000 / 480 VOLT
 DUAL FUEL - NURO® Control

2661000070 (3)
 REV. B