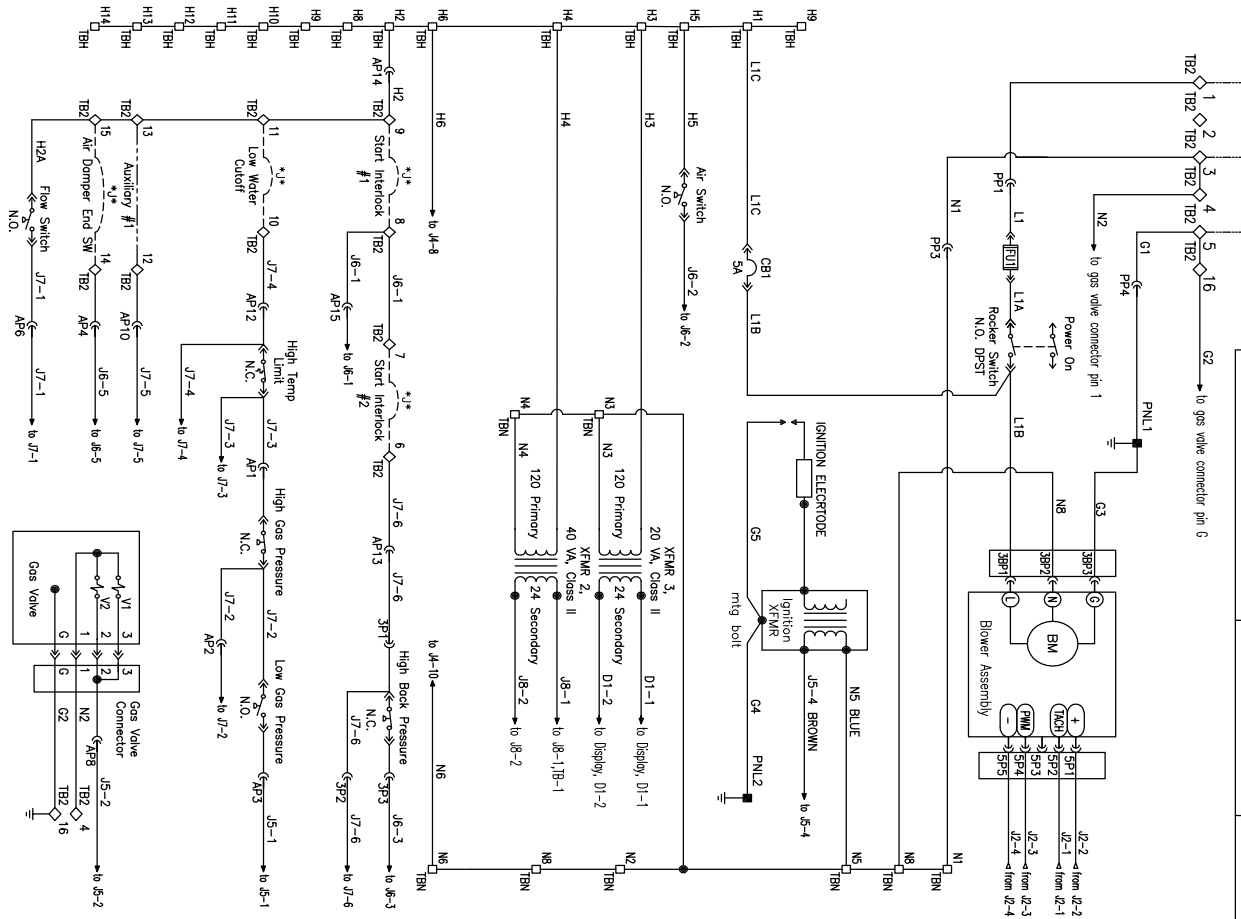


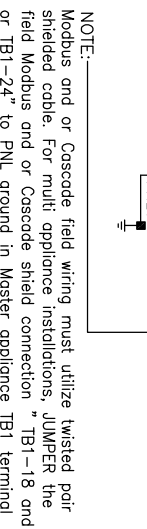
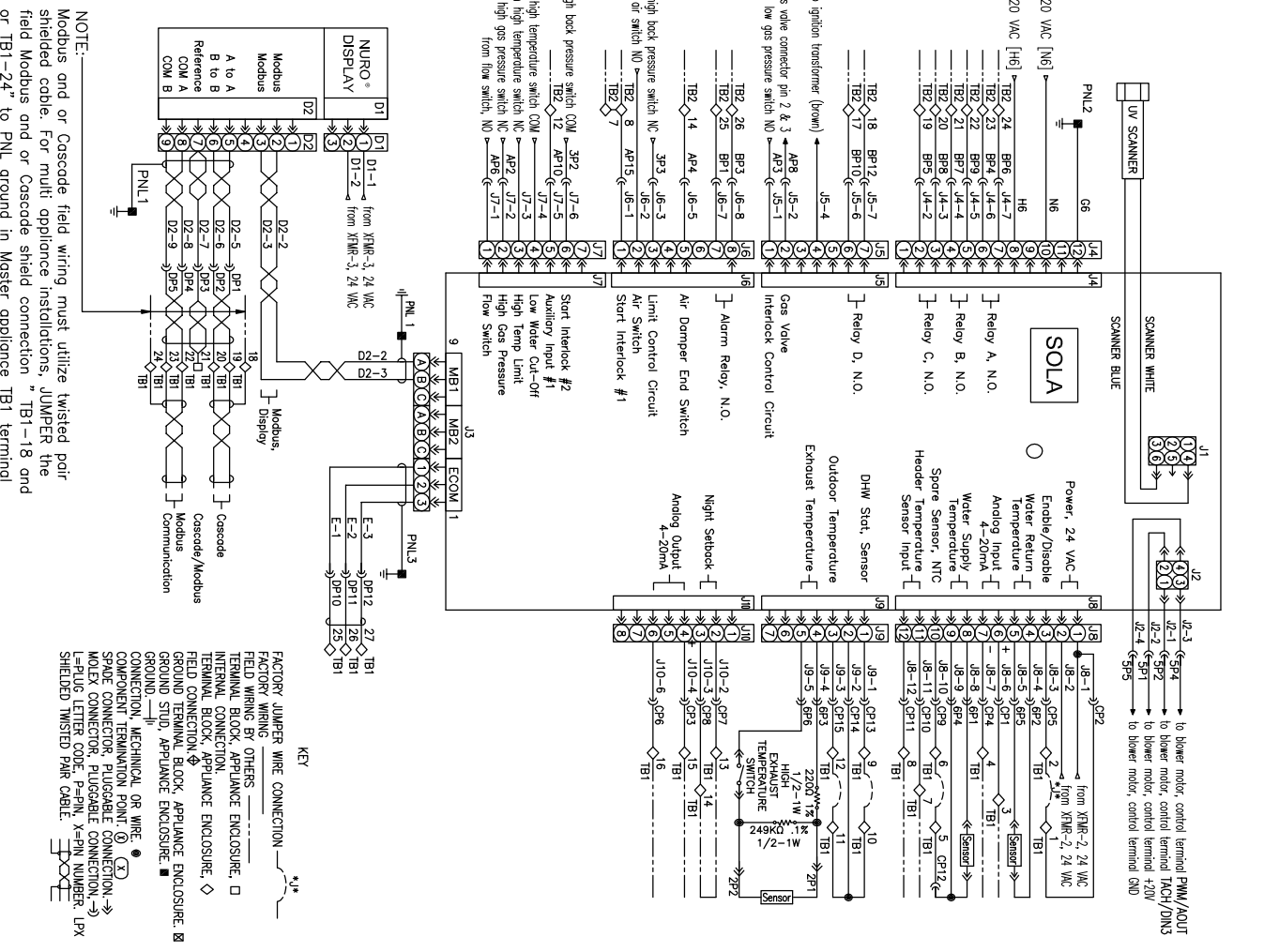
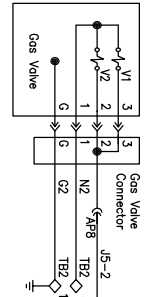
SUPPLY BY OTHERS,
BRANCH CIRCUIT, 20 AMPS
120 VAC 1ø 60 HZ
N1
GND

FUSE FU1 IS
CLASS CC TIME DELAY
BUSSMANN FNO-R
OR MERSEN ATOR

VELOX MODELS	FUSE SIZE
750-1000	6A
1500-2000	15A



VELOX	HIGH TEMP LIMIT
"N" SERIES BOILERS	240° F
"W" SERIES WATER HEATERS	197° F



NOTE:
Modbus and or Cascade field wiring must utilize twisted pair shielded cable. For multi appliance installations, JUMPER the field Modbus and or Cascade shield connection "TB1-18 and or TB1-24" to PNL ground in Master appliance TB1 terminal box. Do not ground shield to any other appliance or piece of equipment. Shield should be continuous from beginning to end with a ground connection in the master appliance only.

KEY

FACTORY JUMPER WIRE CONNECTION	—•—•—
FIELD WIRING BY OTHERS	—•—•—
FIELD WIRING BY OTHERS	—•—•—
TERMINAL BLOCK, APPLIANCE ENCLOSURE	□
INTERNAL CONNECTION	○
FIELD WIRING BY OTHERS	◇
FIELD WIRING BY OTHERS	◇
GROUND TERMINAL BLOCK, APPLIANCE ENCLOSURE	■
GROUND STUD, APPLIANCE ENCLOSURE	■
GROUND	— —
CONNECTION, MECHANICAL OR WIRE	●
COMPONENT TERMINATION POINT	⊙
SPACE CONNECTOR, PLUGGABLE CONNECTION	→
LE-PLUG LETTER CODE, P-PIN, X-PIN NUMBER, LPX SHIELDED TWISTED PAIR CABLE	⊕

IF ANY OF THE ORIGINAL WIRE SUPPLIED WITH THIS APPLIANCE MUST BE REPLACED, IT MUST BE REPLACED WITH THE SAME UL WIRE TYPE.

120V VELOX
750-2000 NURO® Control

2310000055
REV. A

HARSCO
INDUSTRIAL
Patterson-Kelley
East Stroudsburg, PA 18301
570-476-7261
www.harscopk.com